

E-Disk® Altima™ II 2.5" SATA SSD Mechanical Specifications

Physical Specifications

Form Factor	2.5"
Dimension	
Length	100.45 mm
Width	69.85 mm
Height	7 mm
Interface	SATA Rev. 3.2
Screw Penetration	3 mm (recommended)

Mounting Layout

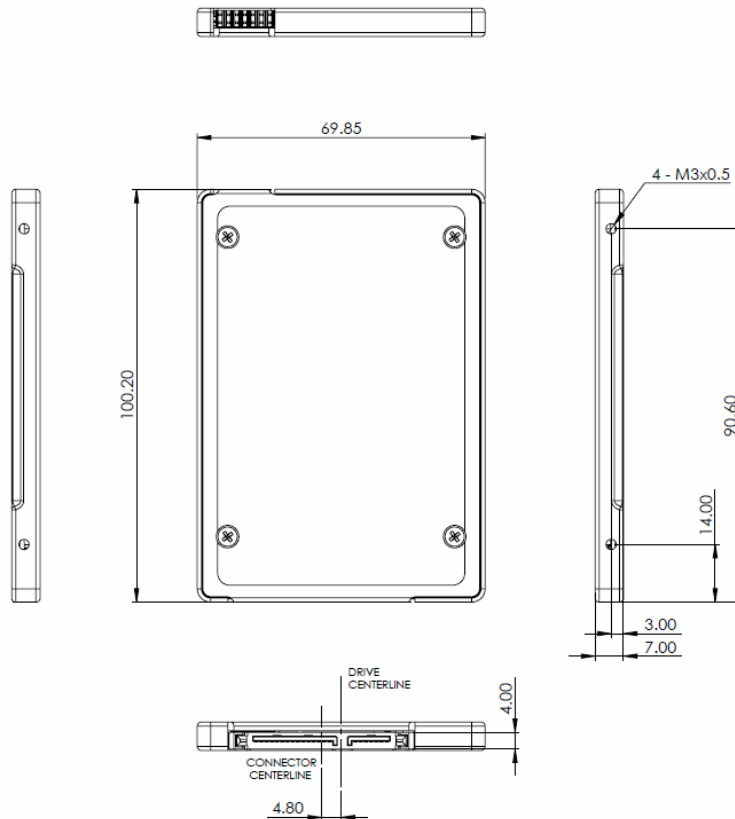


Figure 1: Top View

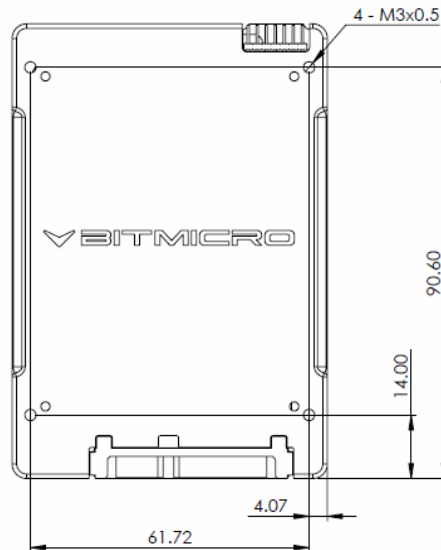


Figure 2: Back View

Jumper Configuration (Optional)

The E-Disk® Altima™ II 2.5" SATA SSD may contain jumper pins on its rear panel. Shunting the jumper pins enable features in Table 1.

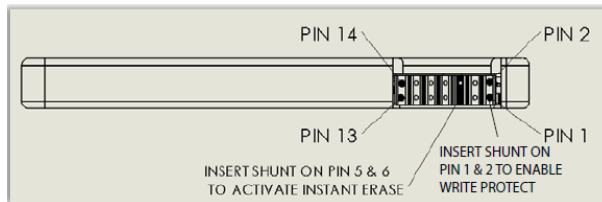


Table 1: Jumper Pin Functions

Jumper Pins	Function
1-2	Write Protect
3-4	Force ROM Code
5-6	Instant Erase
7-8	NC
9-10	NC
11-12	NC
13-14	NC

Instant Erase is a security erase function that can be implemented even when the drive is disconnected from the host.