

E-Disk® Altima™ II U.2 NVMe SSD Mechanical Specifications

Physical Specifications

Form Factor	U.2
Dimension	
Length	100.45 mm
Width	69.85 mm
Height	9.50 mm
Interface	PCIe Gen 3.1 (x4, U.2), NVMe v1.3
Screw Penetration	3 mm (recommended)

Mounting Layout

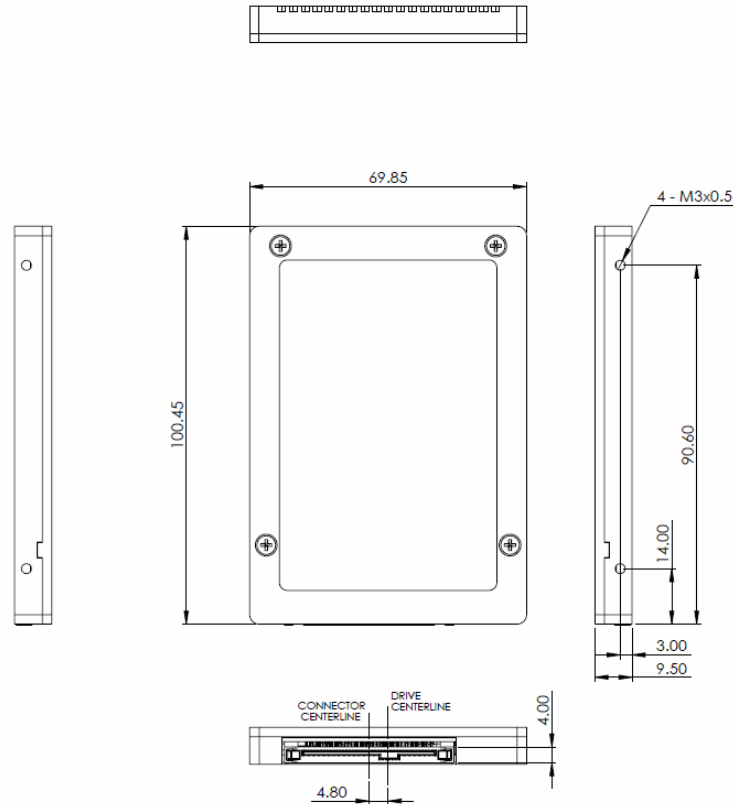


Figure 1: Top View

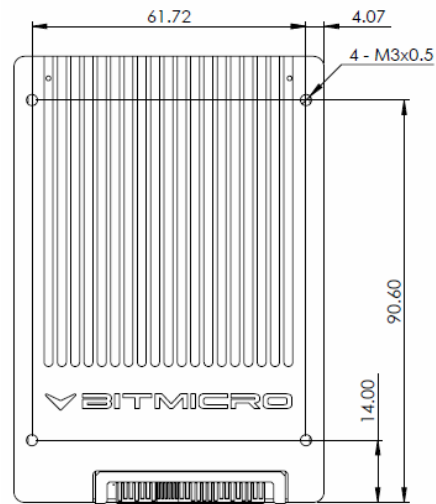


Figure 2: Back View